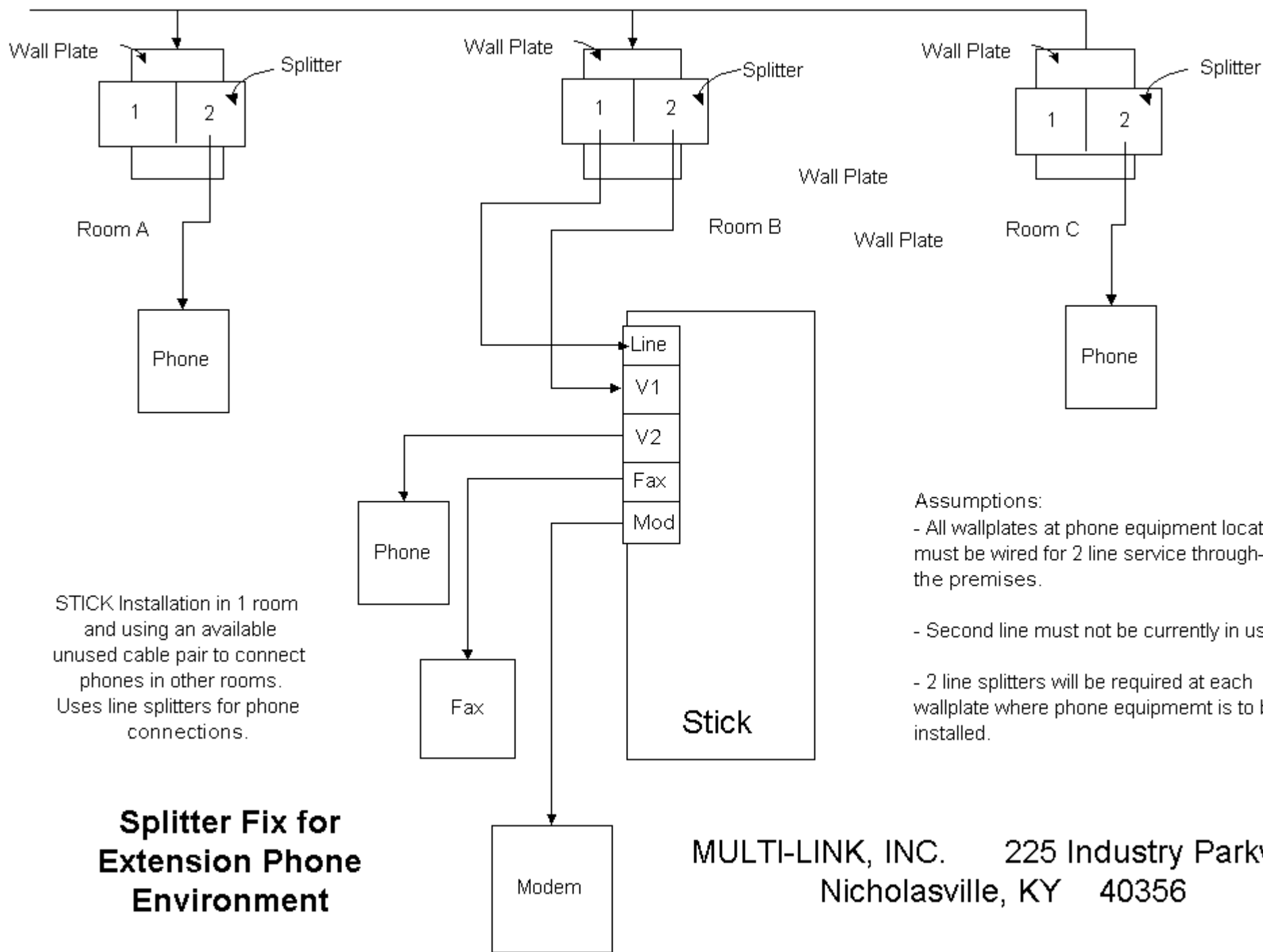


CO Line1 + unused Line 2



STICK Installation in 1 room and using an available unused cable pair to connect phones in other rooms. Uses line splitters for phone connections.

- Assumptions:
- All wallplates at phone equipment locations must be wired for 2 line service through-out the premises.
  - Second line must not be currently in use.
  - 2 line splitters will be required at each wallplate where phone equipment is to be installed.

### Splitter Fix for Extension Phone Environment

MULTI-LINK, INC. 225 Industry Parkway  
Nicholasville, KY 40356